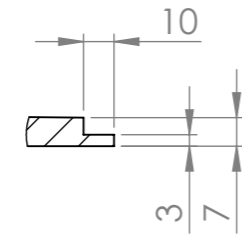
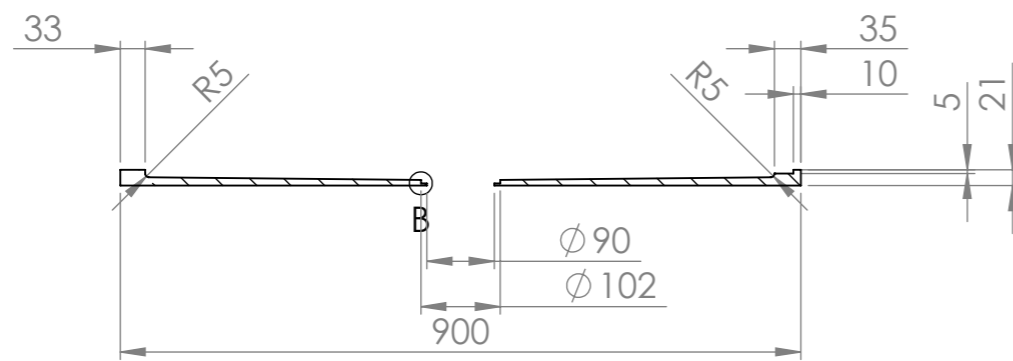


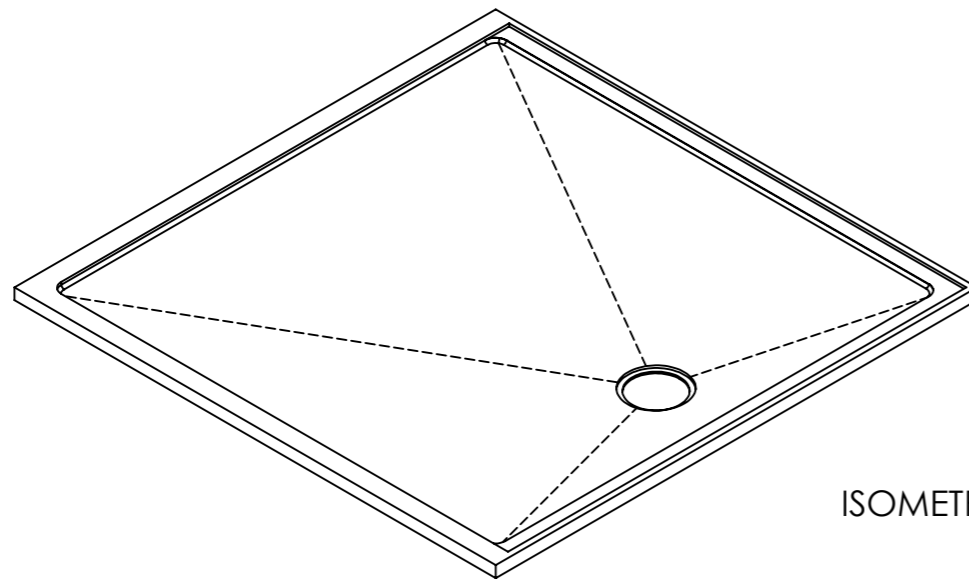
ITEM NO.	PART NUMBER	DESCRIPTION	QTY.
1	202-RH-09-09	Solid Surface Shower Base 900x900 Right Hand Outlet	1



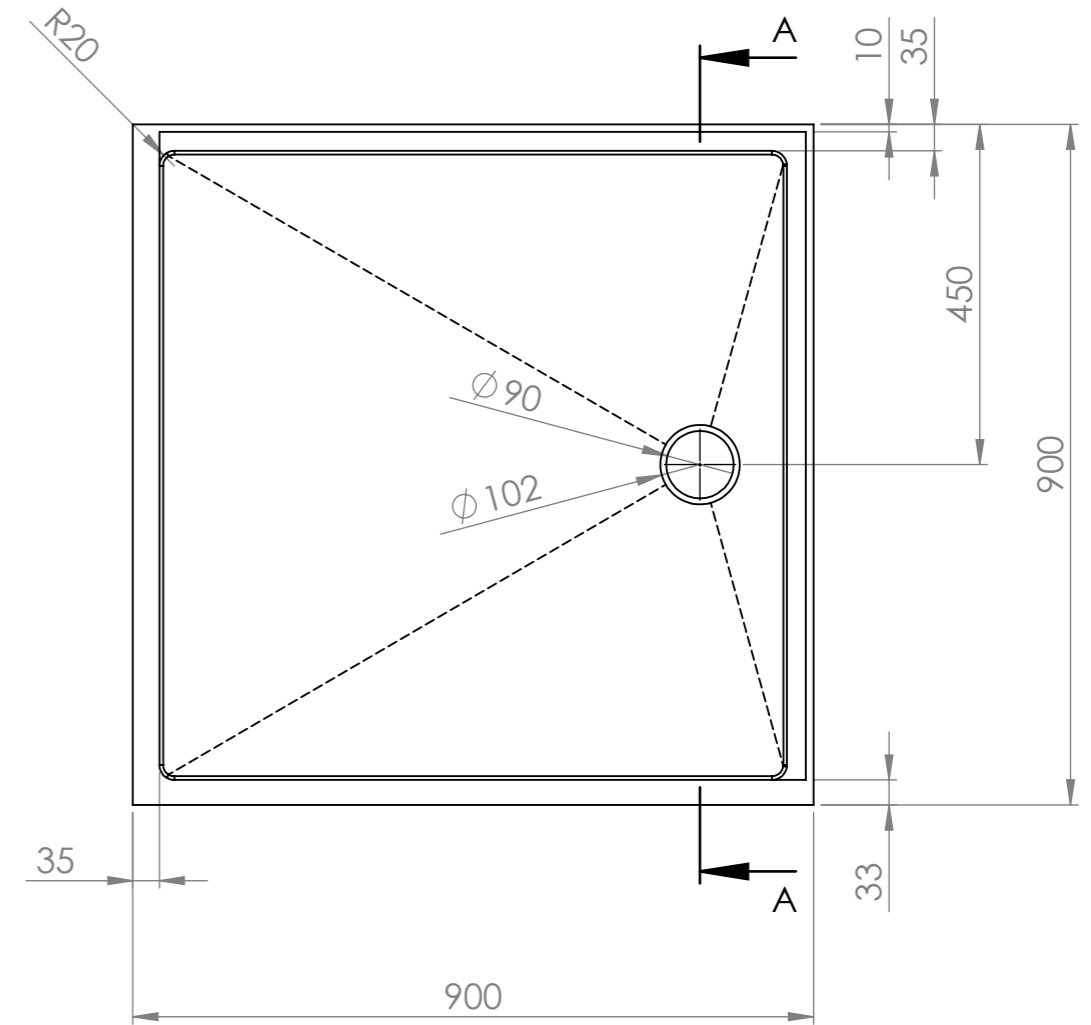
DETAIL B  
SCALE 1 : 2




SECTION A-A  
CROSS SECTION VIEW



ISOMETRIC VIEW



TOP VIEW

 Wet Area Solutions (Aust) Pty Ltd 5 Kim Court North Geelong VIC 3215  Phone: (03) 9034 1011 Email: sales@wetareas.com.au Website: www.wetareas.com.au	Material: Solid Surface	DO NOT SCALE DRAWING		REVISION 1.2	
	Part Number: 202-RH-09-09	TITLE: Solid Surface 900x900 Right Hand Outlet Drawing			
	UNLESS OTHERWISE SPECIFIED: DIMENSIONS ARE IN MILLIMETERS SURFACE FINISH: TOLERANCES: 5mm ALL FILLETS 2mm UNLESS SPECIFIED	SIZE A3	DWG NO. 2 of 4	SCALE:1:10	PAGE: 2
	Draw and prepared by				
	NAME	SIGNATURE	DATE		
	Jason Duong		21/01/2020		

