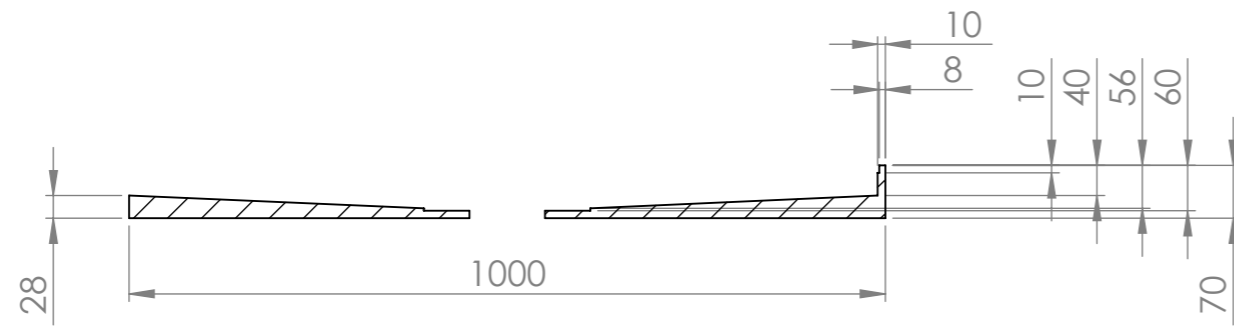
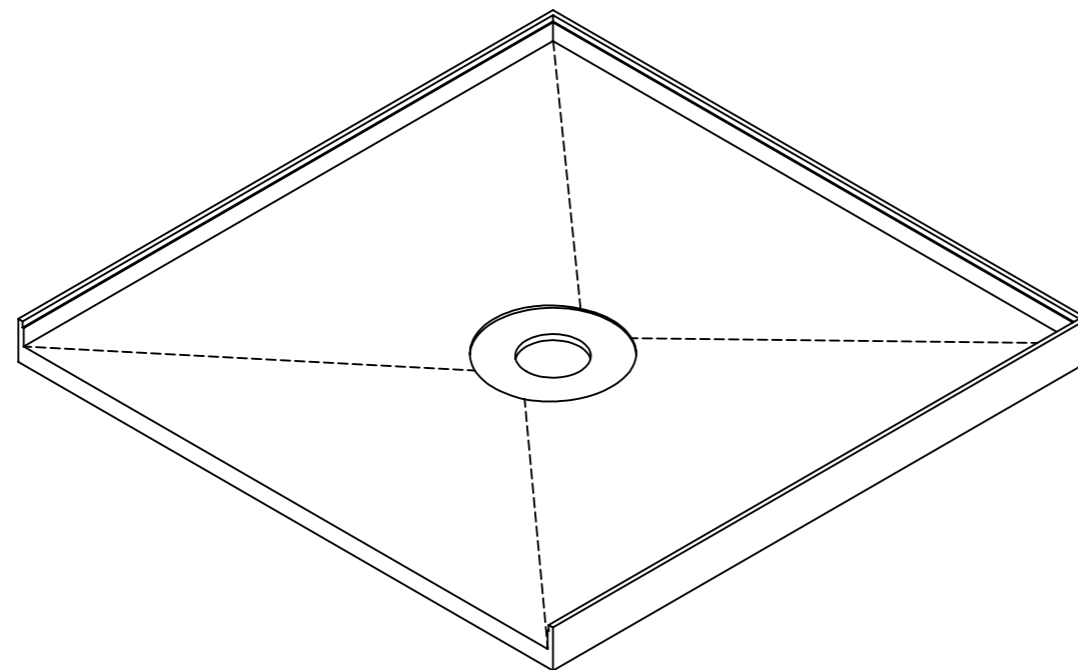


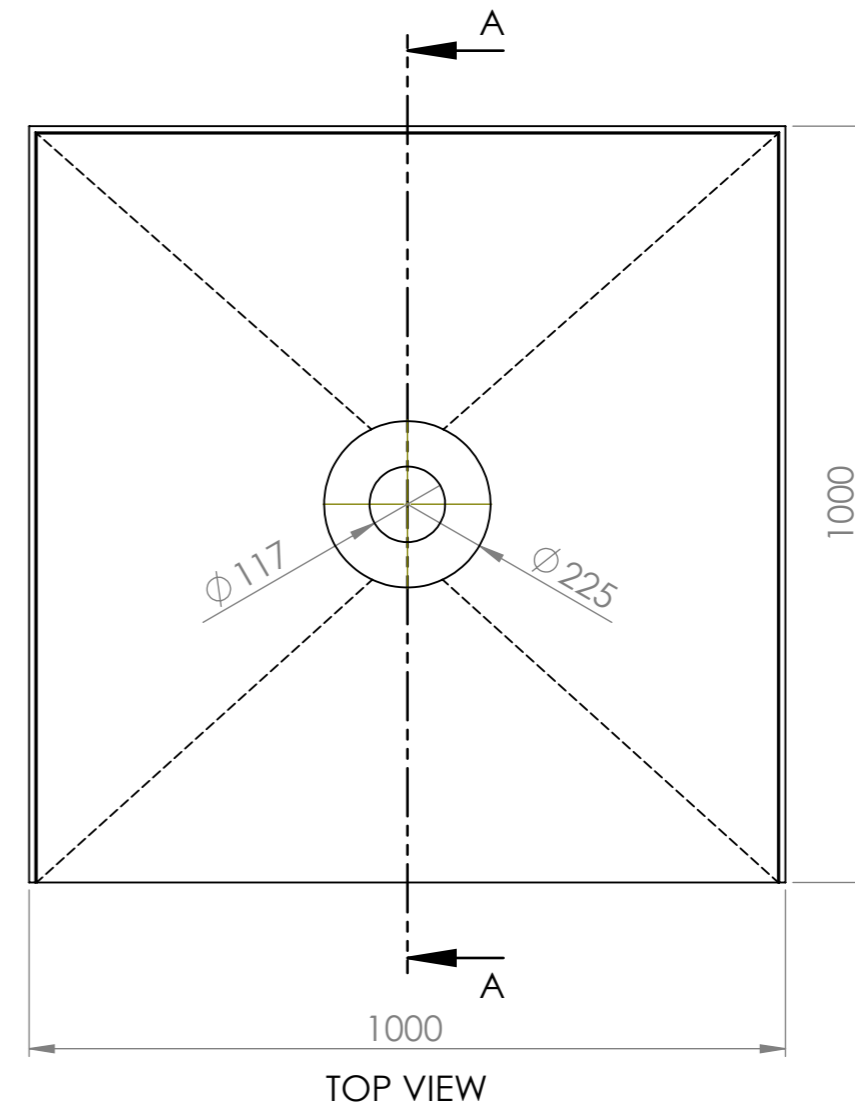
ITEM NO.	PART NUMBER	DESCRIPTION	QTY.
1	103-CO-10-10	Tile-Over Tray 1000 x 1000 Centre Outlet (3 Sided)	1




SECTION A-A  
CROSS SECTION VIEW



ISOMETRIC VIEW



TOP VIEW

 Wet Area Solutions (Aust) Pty Ltd 5 Kim Court North Geelong VIC 3215  Phone: (03) 9034 1011 Email: sales@wetareas.com.au Website: www.wetareas.com.au	Material: High Density Polyurethane	DO NOT SCALE DRAWING REVISION 1.3
	Part Number: 103-CO-10-10	TITLE: Tile-Over Tray 1000 x 1000 Centre Outlet (3 Sided)
	UNLESS OTHERWISE SPECIFIED: DIMENSIONS ARE IN MILLIMETERS SURFACE FINISH: TOLERANCES: 5mm ALL FILLETS 2mm UNLESS SPECIFIED	SIZE A3 DWG NO. 2 of 15 SCALE: 1:10 PAGE: 2
	Draw and prepared by NAME SIGNATURE DATE Jason Duong 25/02/2020	This drawing and design belongs to Wet Areas Patent (prov.) 2012904805

