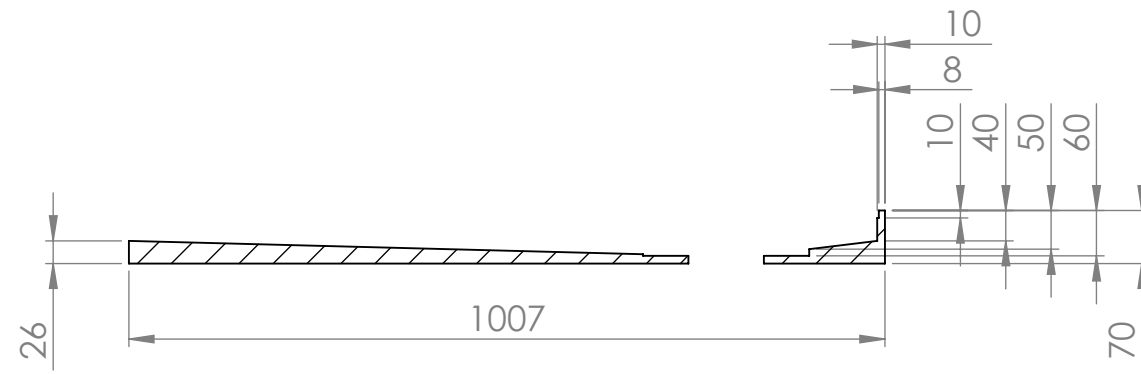
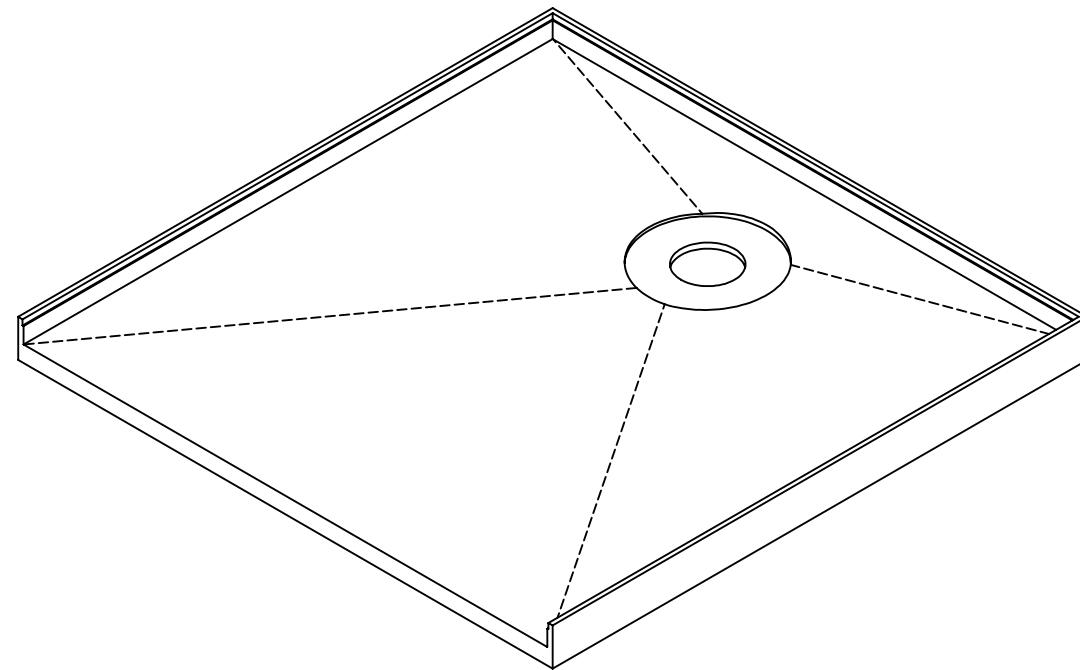


ITEM NO.	PART NUMBER	DESCRIPTION	QTY.
1	103-RO-10-10	Tile-Over Tray 1000 x 1000 Rear Outlet (3 Sided)	1

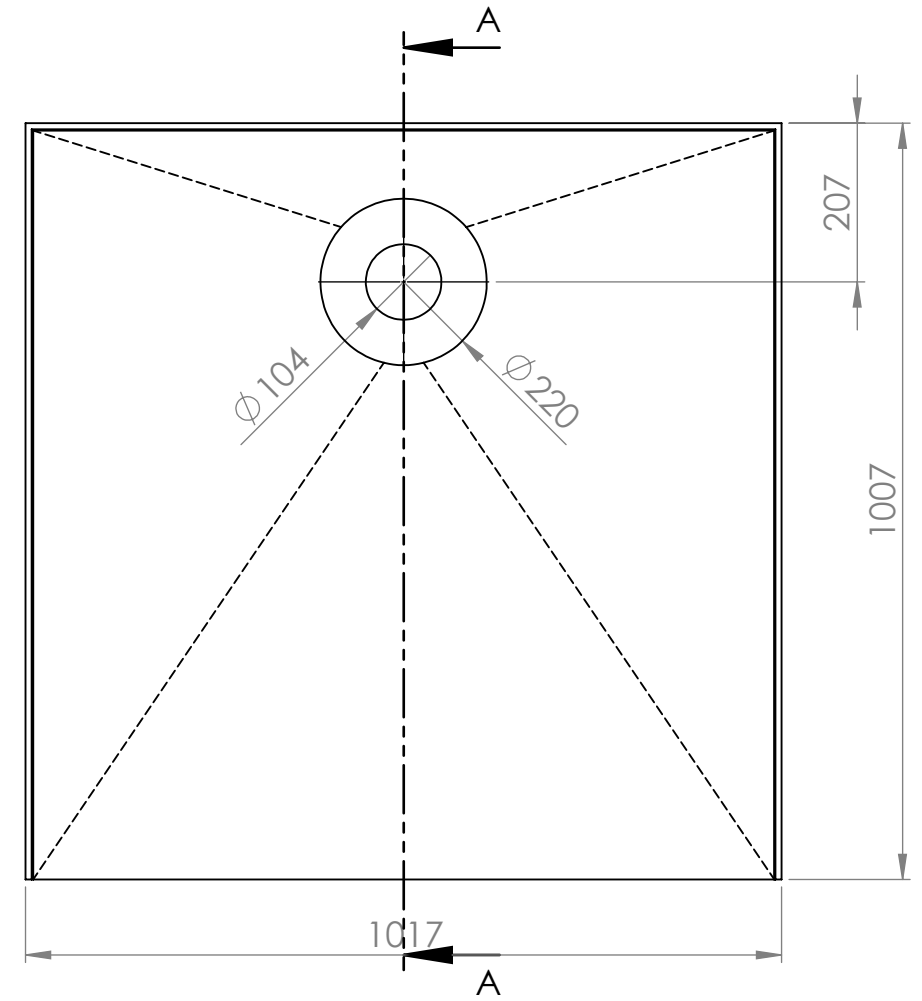


SECTION A-A


CROSS SECTION VIEW



ISOMETRIC VIEW



TOP VIEW

 Wet Area Solutions (Aust) Pty Ltd 5 Kim Court North Geelong VIC 3215 Phone: (03) 9034 1011 Email: sales@wetareas.com.au Website: www.wetareas.com.au	Material: High Density Polyurethane	DO NOT SCALE DRAWING	REVISION 1.4	
	Part Number: 103-RO-10-10	TITLE: Tile-Over Tray 1000 x 1000 Rear Outlet (3 Sided)		
	<small>UNLESS OTHERWISE SPECIFIED: DIMENSIONS ARE IN MILLIMETERS SURFACE FINISH: TOLERANCES: 5mm ALL FILLETS 2mm UNLESS SPECIFIED</small>	SIZE A3	DWG NO. 5 of 15	SCALE: 1:10 PAGE: 5
	Draw and prepared by NAME: Jason Duong SIGNATURE: DATE: 25/02/2020	This drawing and design belongs to Wet Areas Patent (prov.) 2012904805		

