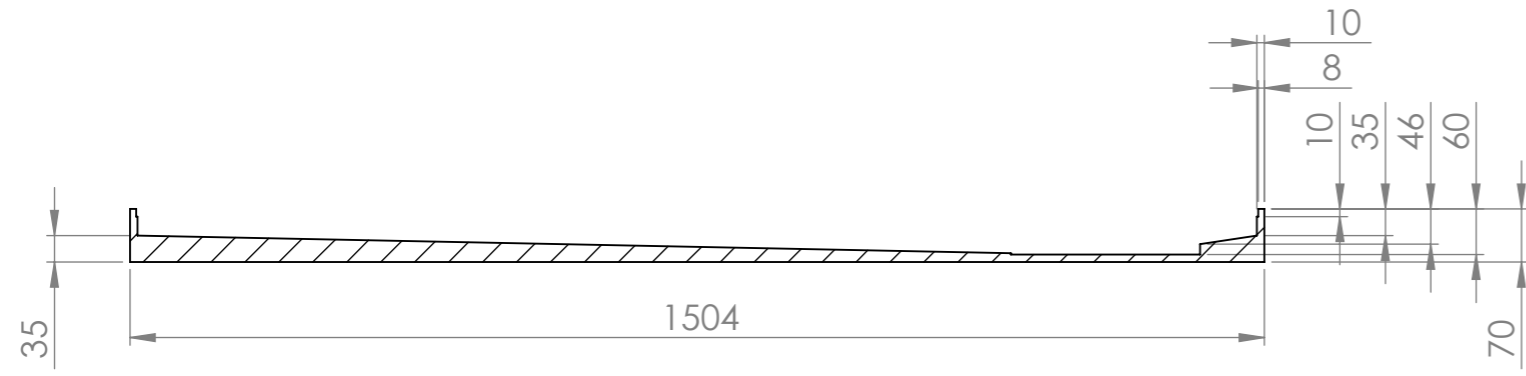
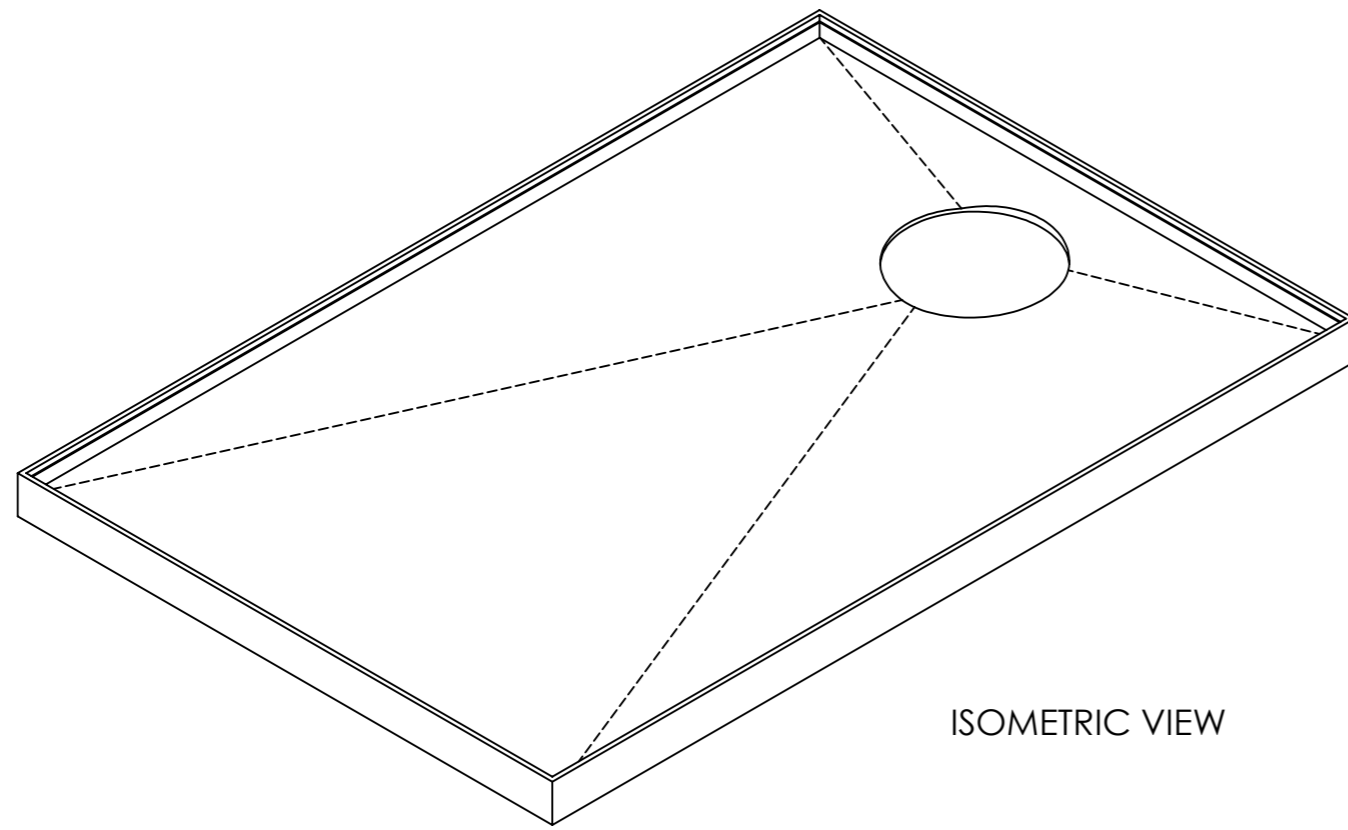


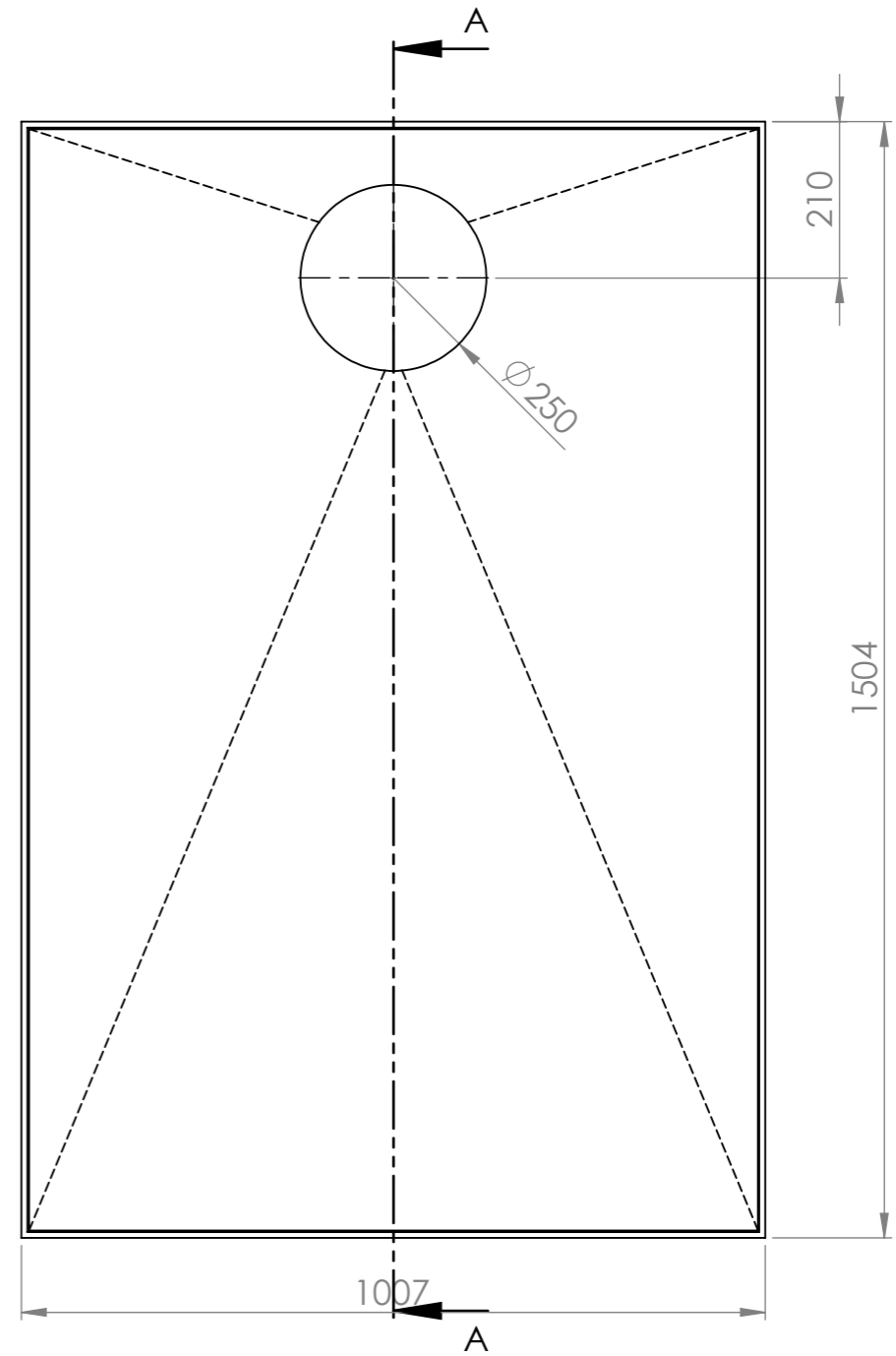
ITEM NO.	PART NUMBER	DESCRIPTION	QTY.
1	104-RO-10-15	Tile-Over Tray 1000 x 1500 Rear Outlet (4 Sided)	1




SECTION A-A  
CROSS SECTION VIEW



ISOMETRIC VIEW



TOP VIEW

 Wet Area Solutions (Aust) Pty Ltd 5 Kim Court North Geelong VIC 3215  Phone: (03) 9034 1011 Email: sales@wetareas.com.au Website: www.wetareas.com.au	Material: High Density Polyurethane	DO NOT SCALE DRAWING	REVISION 1.4	
	Part Number: 104-RO-10-15	TITLE: <b>Tile-Over Tray 1000 x 1500  Rear Outlet (4 Sided)</b>		
	UNLESS OTHERWISE SPECIFIED: DIMENSIONS ARE IN MILLIMETERS SURFACE FINISH: TOLERANCES: 5mm ALL FILLETS 2mm UNLESS SPECIFIED	SIZE <b>A3</b>	DWG NO. <b>12 of 15</b>	SCALE:1:10 PAGE: 12
	Draw and prepared by NAME SIGNATURE DATE Jason Duong	This drawing and design belongs to Wet Areas Patent (prov.) 2012904805		