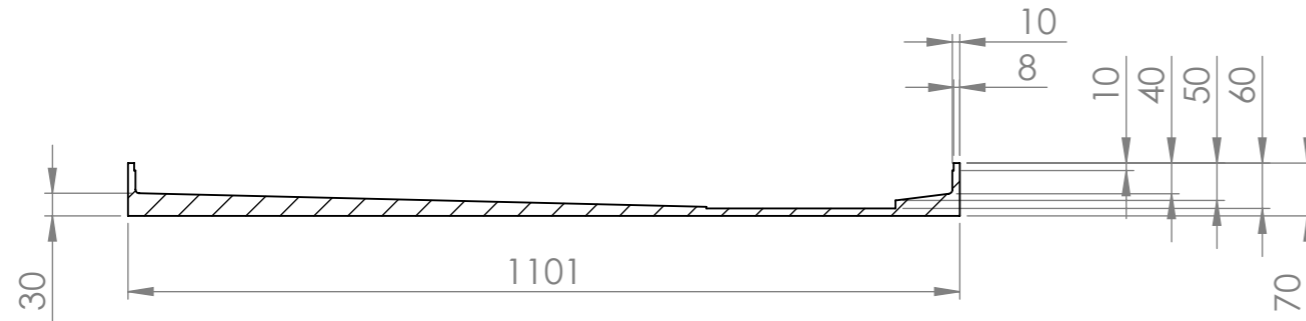
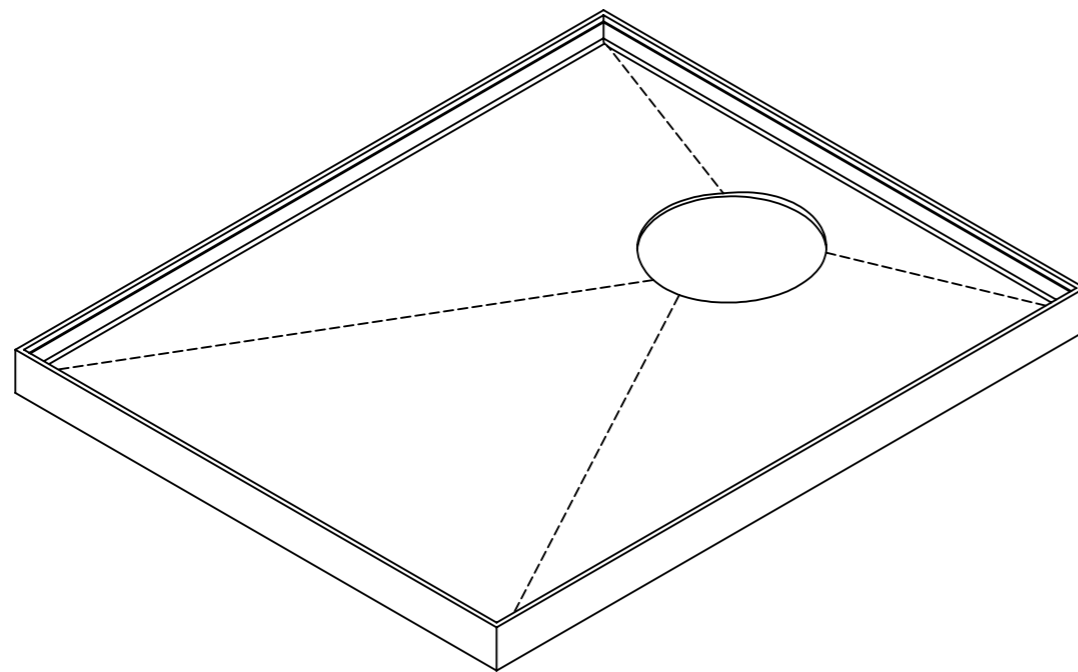


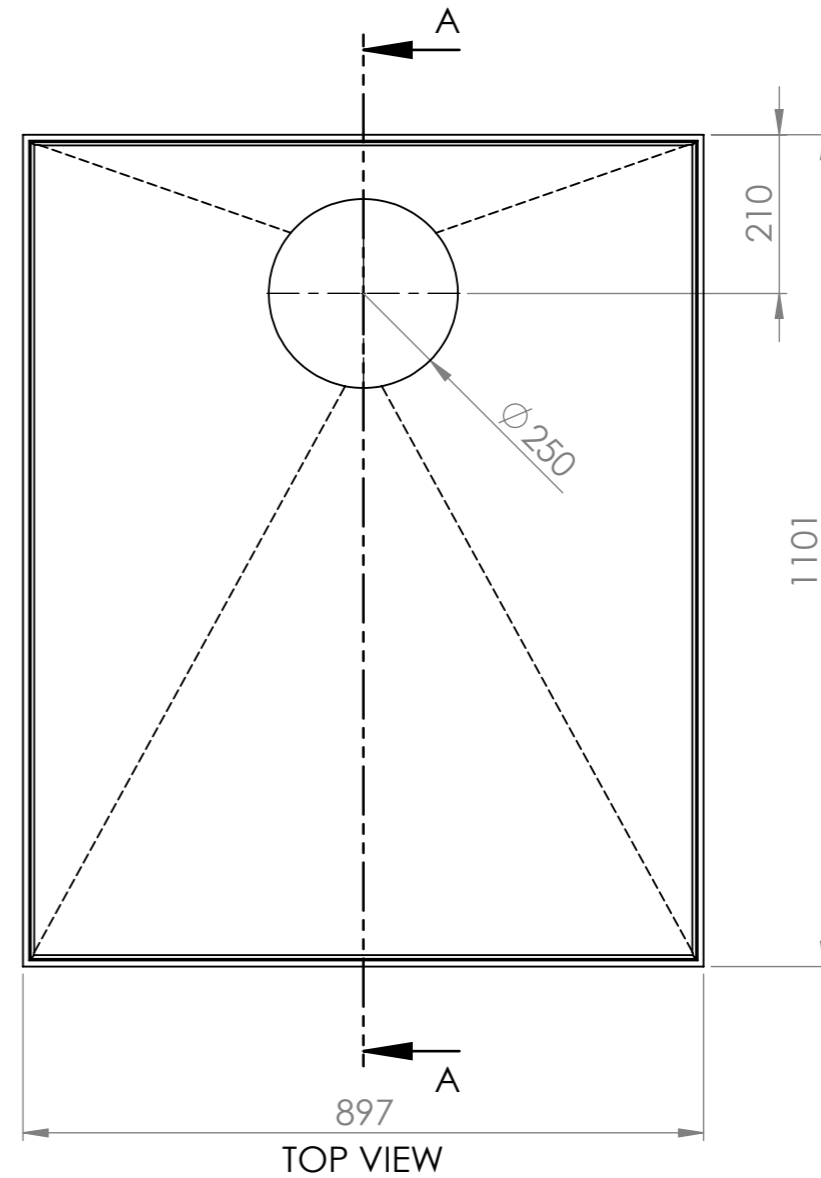
ITEM NO.	PART NUMBER	DESCRIPTION	QTY.
1	104-RO-09-11	Tile-Over Tray 900 x 1100 Rear Outlet (4 Sided)	1




SECTION A-A  
CROSS SECTION VIEW



ISOMETRIC VIEW



TOP VIEW

 Wet Area Solutions (Aust) Pty Ltd 5 Kim Court North Geelong VIC 3215  Phone: (03) 9034 1011 Email: sales@wetareas.com.au Website: www.wetareas.com.au	Material: High Density Polyurethane	DO NOT SCALE DRAWING	REVISION 1.4	
	Part Number: 104-RO-09-11	TITLE: <b>Tile-Over Tray 900 x 1100  Rear Outlet (4 Sided)</b>		
	<small>UNLESS OTHERWISE SPECIFIED:  DIMENSIONS ARE IN MILLIMETERS  SURFACE FINISH:  TOLERANCES: 5mm  ALL FILLETS 2mm UNLESS SPECIFIED</small>	SIZE <b>A3</b>	DWG NO. <b>8 of 15</b>	SCALE: 1:10 PAGE: 8
	Draw and prepared by NAME SIGNATURE DATE Jason Duong	This drawing and design belongs to Wet Areas Patent (prov.) 2012904805		