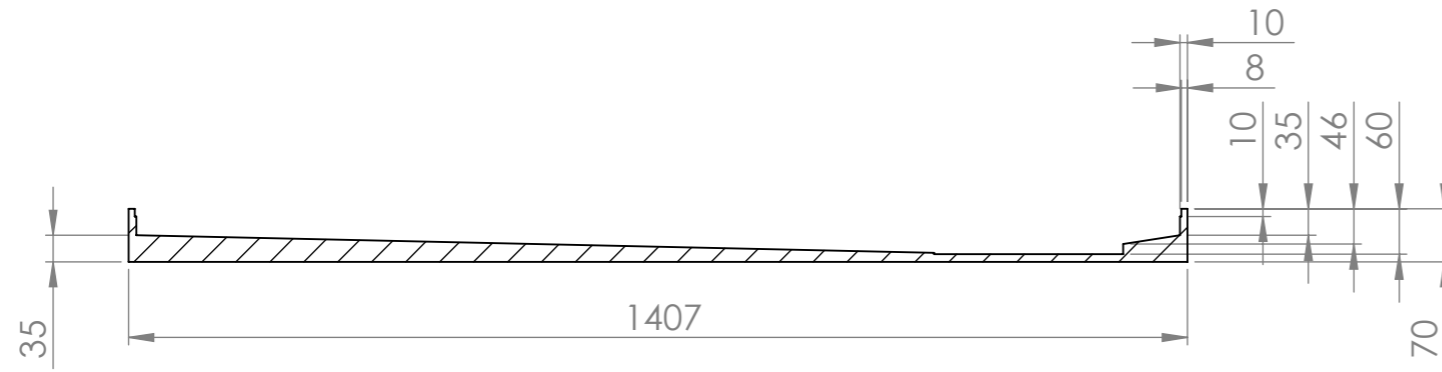
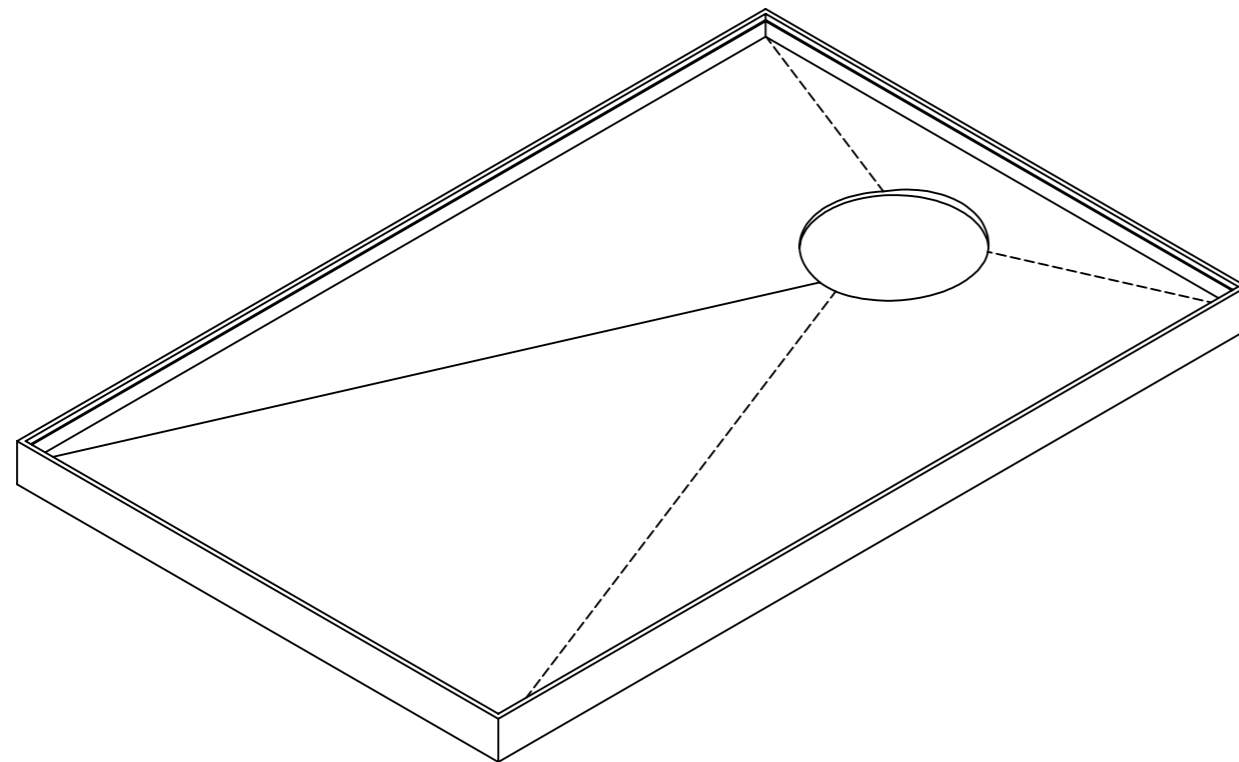


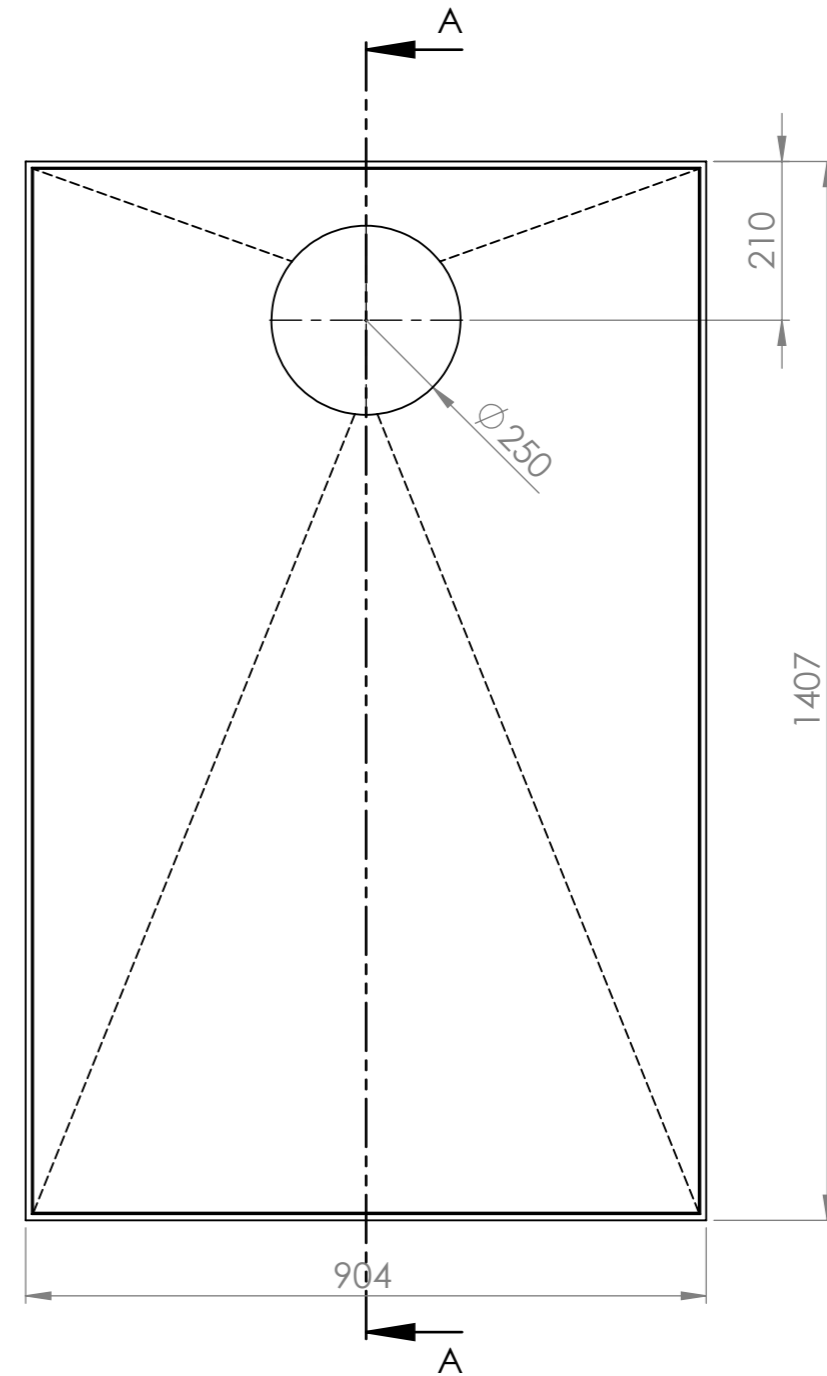
ITEM NO.	PART NUMBER	DESCRIPTION	QTY.
1	104-RO-09-14	Tile-Over Tray 900 x 1400 Rear Outlet (4 Sided)	1



SECTION A-A
CROSS SECTION VIEW



ISOMETRIC VIEW



TOP VIEW



Wet Area Solutions (Aust) Pty Ltd
5 Kim Court
North Geelong VIC 3215

Phone: (03) 9034 1011
Email: sales@wetareas.com.au
Website: www.wetareas.com.au

Material:
High Density
Polyurethane

Part Number:
104-RO-09-14

UNLESS OTHERWISE SPECIFIED:
DIMENSIONS ARE IN MILLIMETERS
SURFACE FINISH:
TOLERANCES: 5mm
ALL FILLETS 2mm UNLESS SPECIFIED

Draw and prepared by		
NAME	SIGNATURE	DATE
Jason Duong		02/06/2020

DO NOT SCALE DRAWING

REVISION 1.4

TITLE:
**Tile-Over Tray 900 x 1400
Rear Outlet (4 Sided)**

SIZE A3	DWG NO. 10 of 15	SCALE:1:10 PAGE: 10
-------------------	---------------------	------------------------

This drawing and design belongs to Wet Areas
Patent (prov.) 2012904805